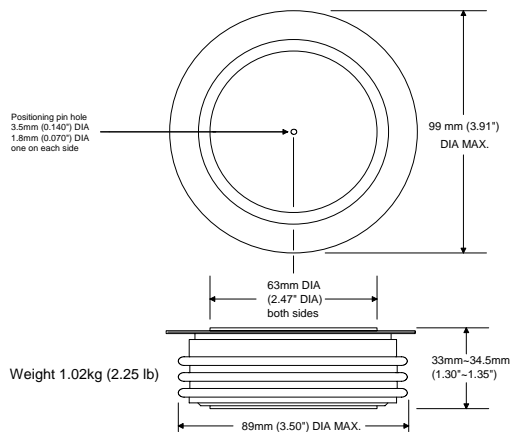


YD package JEDEC DO-200AD



Short Form Data Sheet

Part number scheme

Y D 25 N 45 KNX
1 2 3 4 5 6

- 1) Package designation
- 2) Diode designation (i.e. Rectifier)
- 3) Series number
- 4) Designates standard recovery time
- 5) Voltage Multiplier (example: 45 x 100 = 4500)
- 6) Proprietary suffix

Features:

- ✓ All diffused silicone.
- ✓ Disk press package (nick named, Hockey Puck)
- ✓ Metal and ceramic package construction.
- ✓ Double side cooling.

Voltage

Parameter	Symbol	Rating	Units
Maximum Repetitive Reverse Voltage <small>Notes: 1, 3, 4, 5, 6</small>	V _{RRM}	3000 ~ 5000	Volts
Maximum non repetitive Surge of Reverse Voltage <small>Notes: 2, 3, 4, 5, 6</small>	V _{RSM}	V _{RRM} + 100	Volts
<small>Note 1: T_J 25°C. Note 2: T_J 125°C. Note 3: Measured at the peak of the sine wave, Note 4: Below 0°C derate V_{DRM} and V_{RRM} 10%. Note 5: V_{DRM} and V_{RRM} have I_{DRM}, I_{RRM} of up to 50mA. Note 6: V_{DR} and V_{RR} have typical I_{DR}, I_{RR} of 2~7mA. Note 7: For DC applications derate V_{DRM} 45%.</small>			
Specifying voltage:	3500V, YD25N35 3000V, YD25N30	4500V, YD25N45 4000V, YD25N40	5000V, YD25N50
Above 5000V inquire for availability.			

Current

Parameter	Symbol	Rating	Units
Maximum, Average Current <small>Notes: 3, 4</small>	I _{F(AVE)}	2,500	Amperes
Maximum, RMS Current <small>Notes: 3, 4</small>	I _{F(RMS)}	2,925	Amperes
Maximum non repetitive Surge Current with no reverse voltage reappplied. <small>Notes: 2, 4</small>	I _{FSM} 0%V _{RRM}	24.7	kA
I _{RR} = Typical Repetitive, Reverse, Current. <small>Note: 1</small>	I _{RR}	3 ~ 7	mA
Maximum Forward Voltage drop at Maximum Forward Current	V _{FM} @ I _{FM}	1.6 @ 3000	V @ A
I _{RRM} = Maximum (threshold), Repetitive, Reverse, Current. <small>Note: 1</small>	I _{RRM}	50	mA
Fuse's absolute maximum I ² t with no reverse voltage reappplied <small>Note: 2, 4</small>	I ² t, 0% V _{RR}	1,250	kA
Reverse Recovery Charge (C _s = Stored Charge)	Q _{RR}	Consult factory	μC _s
<small>Note 1: T_J 25°C. Note 2: T_J 125°C. Note 3: T_{Case} 55°C, double side air cooled. Note 4: 180° conduction, 60Hz sine wave.</small>			

Thermal & Mechanical

Parameter	Symbol	Rating	Units
Operating Temperature Range	T _J	-40° ~ 180°	°Celsius
Maximum Thermal resistance, Junction to Case <small>Notes: 1, 3, 5</small>	R _{th-J-C}	0.016	°C/W
Mounting Pressure		3600 ~ 4500	kg
		8000 ~ 10000	lb.
Weight		1,020	Grams
		36	oz.
<small>Note 1: Recommended mounting pressure applied Note 2: Mounting surfaces flat and greased Note 3: Double side cooled Note 4: Case Temperature measured at cathode flange Note 5: 180° on-state</small>			